

PLEASE CHECK WWW.MOLEX.COM FOR LATEST PART INFORMATION

Part Number: **0190030055**
Status: **Active**
Description: InsulKrimp™ Quick Disconnect, Female, for 14-16 (2.00-1.30), Mylar Tape, Tab 4.75mm (.187") x 0.51mm (.020")

Documents:

[Drawing \(PDF\)](#) [RoHS Certificate of Compliance \(PDF\)](#)
[Product Specification PS-19902-008 \(PDF\)](#)

Agency Certification

CSA LR18689
 UL E79133

General

Product Family Quick Disconnects
 Series 19003
 Comments Funnel Entry
 Crimp Quality Equipment Yes
 Product Name InsulKrimp™
 Type Quick Disconnect

Physical

Barrel Type Closed
 Color - Resin Natural
 Flammability 94V-2
 Gender Female
 Glow-Wire Compliant No
 Insulation Nylon (PA)
 Lock to Mating Part None
 Material - Metal Brass
 Material - Plating Mating Tin
 Material - Plating Termination Tin
 Material - Resin Nylon
 Orientation Straight
 Packaging Type Adhesive Tape on Reel
 Plating min: Mating (µin) 160
 Plating min: Mating (µm) 4
 Plating min: Termination (µin) 160
 Plating min: Termination (µm) 4
 Polarized to Mating Part No
 Tab Thickness 0.51mm (.020")
 Tab Width 4.75mm (.187")
 Temperature Range - Operating -65°C to +105°C
 Termination Interface: Style Crimp or Compression
 Wire Insulation Diameter 6.60mm (.260") max.
 Wire Size AWG 14, 16
 Wire Size mm² 1.30 - 2.00

Electrical

Voltage - Maximum 600V

Material Info

Old Part Number BB-2207XT

Reference - Drawing Numbers

Product Specification PS-19902-008
 Sales Drawing SD-19003-006

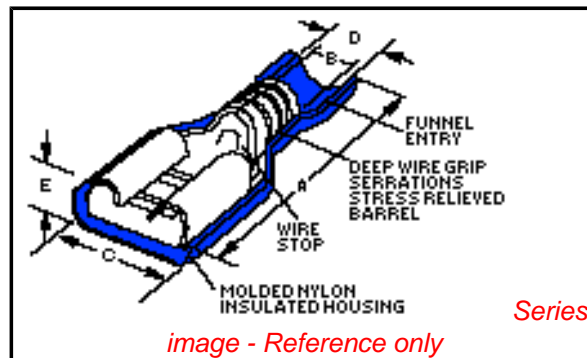


image - Reference only

EU RoHS

ELV and RoHS Compliant

REACH SVHC

Not Reviewed

Halogen-Free

Status

Not Reviewed

Need more information on product environmental compliance?

Email productcompliance@molex.com
 For a multiple part number RoHS Certificate of Compliance, [click here](#)

Please visit the [Contact Us](#) section for any non-product compliance questions.

China RoHS



Search Parts in this Series

19003Series

Application Tooling | FAQ

Tooling specifications and manuals are found by selecting the products below. Crimp Height Specifications are then contained in the Application Tooling Specification document.

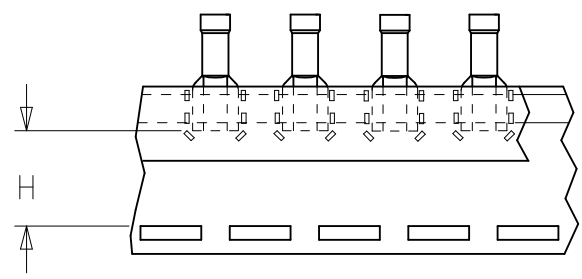
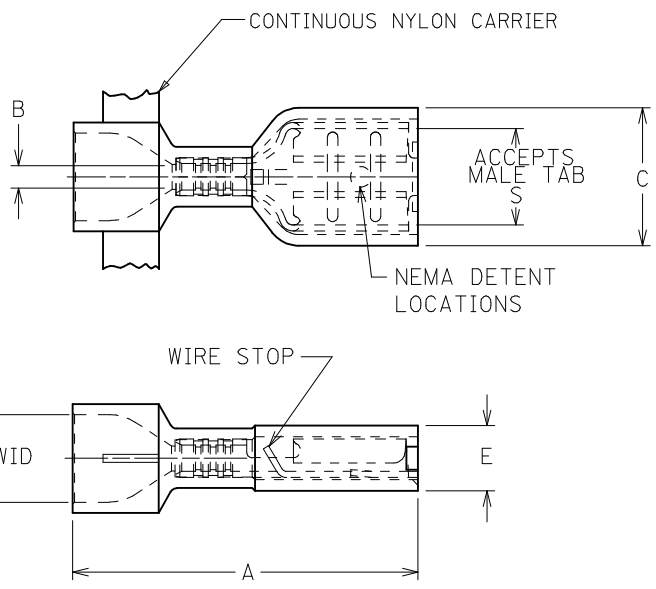
Global

Description	Product #
Crimp Dies for the ATP-301 Air Crimping Press for Mylar Tape Mounted Terminals and MTA-106 Tape Applicator used in Wire Processing Machine	<u>0192880105</u>
Mini-Mac™ Applicator	<u>0638854200</u>

This document was generated on 04/13/2010

PLEASE CHECK WWW.MOLEX.COM FOR LATEST PART INFORMATION

10	9	8	7	6	5	4	3	2					
MATERIAL # LOOSE PCS	MATERIAL # CONTINUOUS	MATERIAL # TAPE MNT	MOLEX-ETC PART NO.	INS. COLOR	WIRE RANGE AWG	FITS MALE TAB SIZE	STOCK THICK REF	"A" MAX	"B" MIN.	"C" MAX.	"D" MWID	"E" MAX.	"H" NOMINAL
190030008	190030009	190030010	AA-2201X	RED	22-18	.250x.032 (6.35x0.81)	.016 (0.4)	.94 (23.9)	.058 (1.47)	.380 (9.66)	.230 (5.84)	.180 (4.58)	.56 (14.2)
NOTE 5	NOTE 5	NOTE 5	AA-2213X	RED	22-18	.205x.020 (5.21x0.51)	.016 (0.4)	.86 (21.8)	.058 (1.47)	.316 (8.03)	.230 (5.84)	.160 (4.07)	.60 (15.3)
NOTE 5	NOTE 5	NOTE 5	AA-2214X	PINK (B)	22-18	.205x.032 (5.21x0.81)	.016 (0.4)	.86 (21.8)	.058 (1.47)	.316 (8.03)	.230 (5.84)	.160 (4.07)	.60 (15.3)
190030014	190030015	190030016	AA-2202X	RED	22-18	.187x.020 (4.75x0.51)	.016 (0.4)	.86 (21.8)	.058 (1.47)	.316 (8.03)	.230 (5.84)	.160 (4.07)	.60 (15.3)
190030021	190030022	190030023	AA-2203X	PINK (B)	22-18	.187x.032 (4.75x0.81)	.016 (0.4)	.86 (21.8)	.058 (1.47)	.316 (8.03)	.230 (5.84)	.160 (4.07)	.60 (15.3)
190030027	190030028	190030029	AA-2204X	RED	22-18	.110x.020 (2.79x0.51)	.012 (0.3)	.86 (21.8)	.058 (1.47)	.230 (5.85)	.230 (5.84)	.150 (3.81)	.61 (15.5)
190030033	190030034	190030035	AA-2205X	PINK (B)	22-18	.110x.032 (2.79x0.81)	.012 (0.3)	.86 (21.8)	.058 (1.47)	.230 (5.85)	.230 (5.84)	.150 (3.81)	.61 (15.5)
190030047	190030048	100030049	BB-2206X	BLUE	16-14	.250x.032 (6.35x0.81)	.016 (0.4)	.94 (23.9)	.083 (2.10)	.380 (9.66)	.260 (6.60)	.180 (4.58)	.56 (14.2)
NOTE 5	NOTE 5	NOTE 5	BB-2215X	BLUE	16-14	.205x.020 (5.21x0.51)	.016 (0.4)	.86 (21.8)	.083 (2.10)	.316 (8.03)	.260 (6.60)	.170 (4.32)	.60 (15.3)
NOTE 5	NOTE 5	NOTE 5	BB-2216X	AQUA (B)	16-14	.205x.032 (5.21x0.81)	.016 (0.4)	.86 (21.8)	.083 (2.10)	.316 (8.03)	.260 (6.60)	.170 (4.32)	.60 (15.3)
190030053	190030054	190030055	BB-2207X	BLUE	16-14	.187x.020 (4.75x0.51)	.016 (0.4)	.86 (21.8)	.083 (2.10)	.316 (8.03)	.260 (6.60)	.170 (4.32)	.60 (15.3)
190030059	190030060	190030061	BB-2208X	AQUA (B)	16-14	.187x.032 (4.75x0.81)	.016 (0.4)	.86 (21.8)	.083 (2.10)	.316 (8.03)	.260 (6.60)	.170 (4.32)	.60 (15.3)
190050010	190050014	190050015	C-2265	YELLOW	12-10	.250x.032 (6.35x0.81)	.018 (0.5)	1.04 (26.4)	.150 (3.81)	.380 (9.66)	.275 (6.98)	.290 (7.37)	.51 (12.9)



PARTS ON TAPE

CUSTOMER DRAWING

1. MATERIAL: BRASS
2. FINISH: ELECTRO-TIN PLATING
3. INSULATION: NYLON
4. MWID= MAXIMUM WIRE INSULATION DIAMETER
5. CONSULT FACTORY FOR AVAILABILITY
6. PART IS ROHS COMPLIANT.

REDRAW, COLOR CHGS EC NO: WNA2008-0135 /DRW: HETHRODAHL 2008/09/23 /CHKD: JMACNEIL 2008/09/23 /APPR: JMACNEIL 2008/09/25 B	QUALITY SYMBOLS ▽=0 ▽=0	GENERAL TOLERANCES (UNLESS SPECIFIED)		DIMENSION STYLE IN/MM		SCALE ---	DESIGN UNITS INCH	THIRD ANGLE PROJECTION			
		4 PLACES ± --- ± ---	3 PLACES ± --- ± ---	2 PLACES ± --- ± ---	1 PLACE ± --- ± ---	ANGULAR ± ---°	DRAWN BY RCM	DATE 1994/06/17	FULLY INSULATED QUICK DISCONNECTS EXPANDED FLARE		
		DRAFT WHERE APPLICABLE MUST REMAIN WITHIN DIMENSIONS		SEE CHART		CHECKED BY JM	DATE 1994/06/17	MOLEX INCORPORATED			
		MATERIAL NO.		DOCUMENT NO.		APPROVED BY FP		DATE 1994/06/17	SD-19003-006		

THIS DRAWING CONTAINS INFORMATION THAT IS PROPRIETARY TO MOLEX INCORPORATED AND SHOULD NOT BE USED WITHOUT WRITTEN PERMISSION